

ATC MLC Surface Mount Tape and Reel Packaging Specifications



AMERICAN

ATC North America
sales@atceramics.com

TECHNICAL

ATC Europe
saleseur@atceramics.com

CERAMICS

ATC Asia
sales@atceramics-asia.com



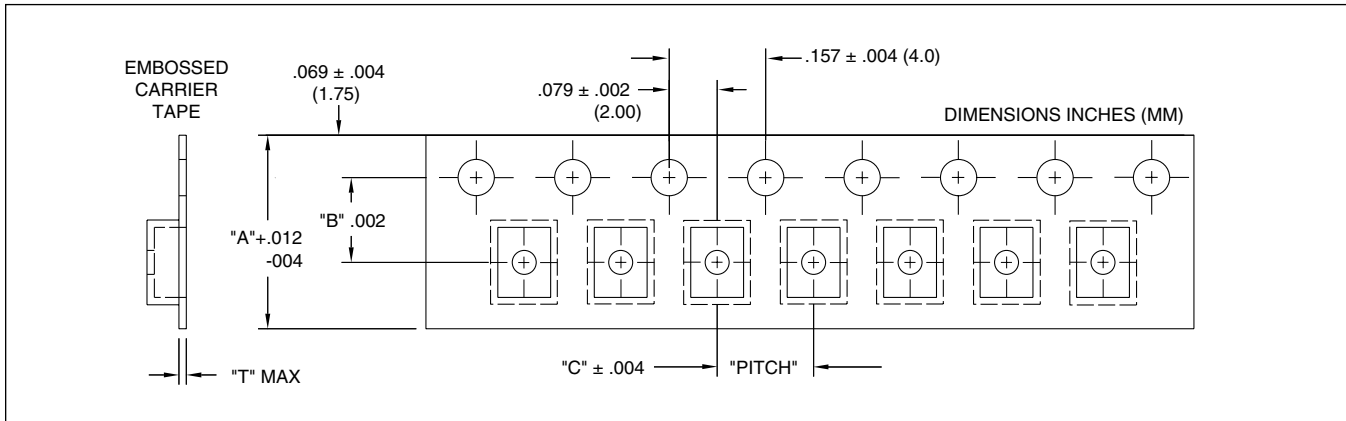
ISO 9001 REGISTERED
COMPANY

THE ENGINEERS' CHOICE®

www.atceramics.com

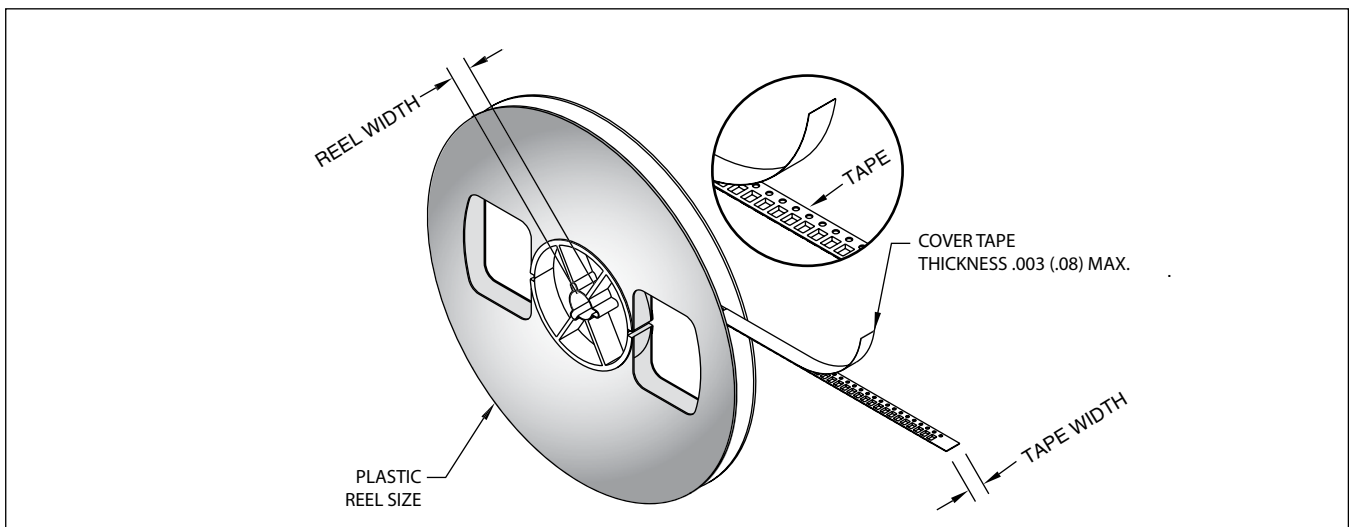
ATC # 001-1064 Rev. F, 8/18

General Purpose MLC Products Tape and Reel Packaging



CHIP CASE	"A" DIM. MAX.	"B" DIM.	"C" DIM.	"T" DIM. MAX.	REEL WIDTH MAX.	QTY. MAX PER REEL TYP.
0402*	.327 (8.30)	.138 (3.50) ±.002 (±0.05)	.079 (2.00) ±.004 (±0.10)	.024 (0.60)	.567 (14.4)	10,000
0603	.327 (8.30)	.138 (3.50) ±.002 (±0.05)	.157 (4.00) ±.004 (±0.10)	.024 (0.60)	.567 (14.4)	4,000
0805	.327 (8.30)	.138 (3.50) ±.002 (±0.05)	.157 (4.00) ±.004 (±0.10)	.024 (0.60)	.567 (14.4)	4,000
1206	.327 (8.30)	.138 (3.50) ±.002 (±0.05)	.157 (4.00) ±.004 (±0.10)	.024 (0.60)	.567 (14.4)	4,000
1210	.327 (8.30)	.138 (3.50) ±.002 (±0.05)	.157 (4.00) ±.004 (±0.10)	.024 (0.60)	.567 (14.4)	2,000 to 4,000
1812	.484 (12.3)	.217 (5.50) ±.002 (±0.05)	.315 (8.00) ±.004 (±0.10)	.024 (0.60)	.724 (18.4)	1,000
2225	.484 (12.3)	.217 (5.50) ±.002 (±0.05)	.315 (8.00) ±.004 (±0.10)	.024 (0.60)	.724 (18)	

*0402 uses paper carrier tape; all other sizes use embossed carrier tape
 NOTE: Reel size is 7.0 (177.8)



NOTE: Part orientation is horizontal for all chip case sizes.

A M E R I C A N T E C H N I C A L C E R A M I C S

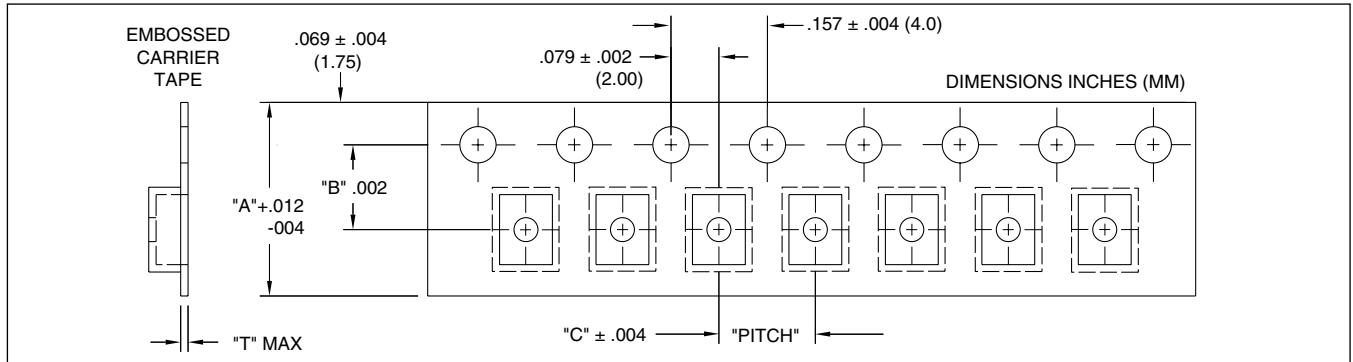
ATC North America
 sales@atceramics.com

ATC Europe
 saleseur@atceramics.com

ATC Asia
 sales@atceramics-asia.com

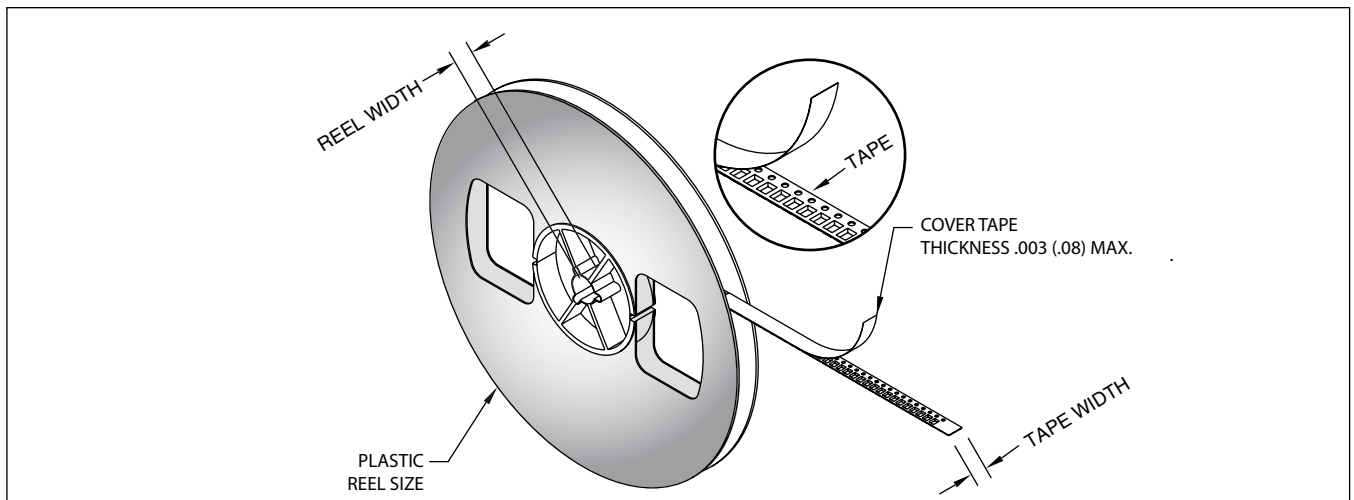
www.atceramics.com

Broadband & Ultra-Broadband Products Tape and Reel Packaging



CHIP CASE SIZE	"A" DIM. MAX.	"B" DIM.	"C" DIM.	"T" DIM. MAX.	REEL SIZE	REEL WIDTH MAX.	QTY. MAX PER REEL TYP.
500S (0603)	.315 (8.00)	.138 (3.50) ±.002 (±0.05)	.157 (4.00)	.009 (0.23)	7.0 (177.8)	.330 (8.40)	1000
520L (0402)	.327 (8.30)	.138 (3.50) ±.002 (±0.05)	.157 (4.00) ±.004 (±0.10)	.024 (0.61)	5.0 (127.0)	.330 (8.40)	500
					7.0 (177.8)		1000
530L (0402)	.327 (8.30)	.138 (3.50) ±.002 (±0.05)	.157 (4.00) ±.004 (±0.10)	.024 (0.61)	5.0 (127.0)	.330 (8.40)	500
					7.0 (177.8)		1000
530Z (0201)	.315 (8.00)	.138 (3.50) ±.002 (±0.05)	.079 (2.00) ±.004 (±0.10)	.020 (0.50)	7.0 (177.8)	.330 (8.40)	15,000
531Z (0201)	.315 (8.00)	.138 (3.50) ±.002 (±0.05)	.079 (2.00) ±.004 (±0.10)	.020 (0.50)	7.0 (177.8)	.330 (8.40)	15,000

NOTE: Carrier tape pocket dimensions per EIA-481



Sales of ATC products are subject to the terms and conditions contained in American Technical Ceramics Corp. Terms and Conditions of Sale (ATC document #001-992) Copies of these terms and conditions will be provided upon request. They may also be viewed on ATC's website at www.atceramics.com/productfinder/default.asp. Click on the link for Terms and Conditions of Sale.

ATC has made every effort to have this information as accurate as possible. However, no responsibility is assumed by ATC for its use, nor for any infringements of rights of third parties which may result from its use. ATC reserves the right to revise the content or modify its product line without prior notice.

© 2004 American Technical Ceramics Corp.

ATC # 001-1064 Rev. F, 8/18

A M E R I C A N T E C H N I C A L C E R A M I C S

ATC North America

sales@atceramics.com

ATC Europe

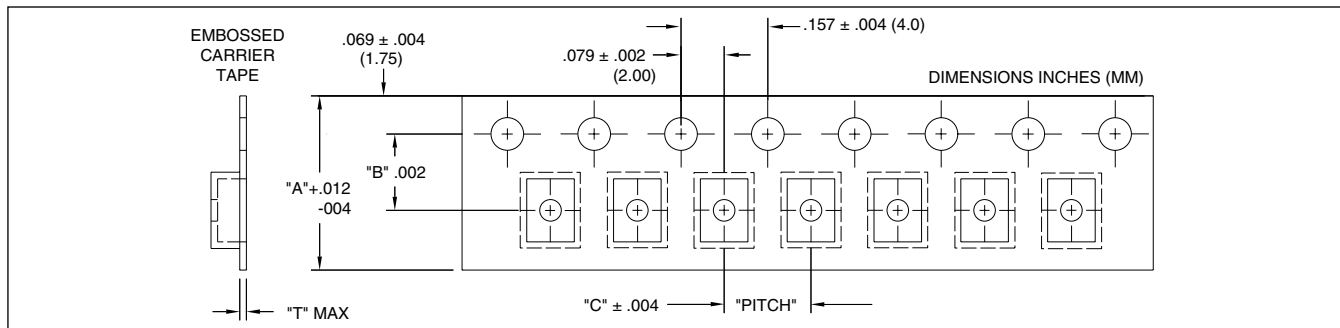
sales@atceramics.com

ATC Asia

sales@atceramics-asia.com

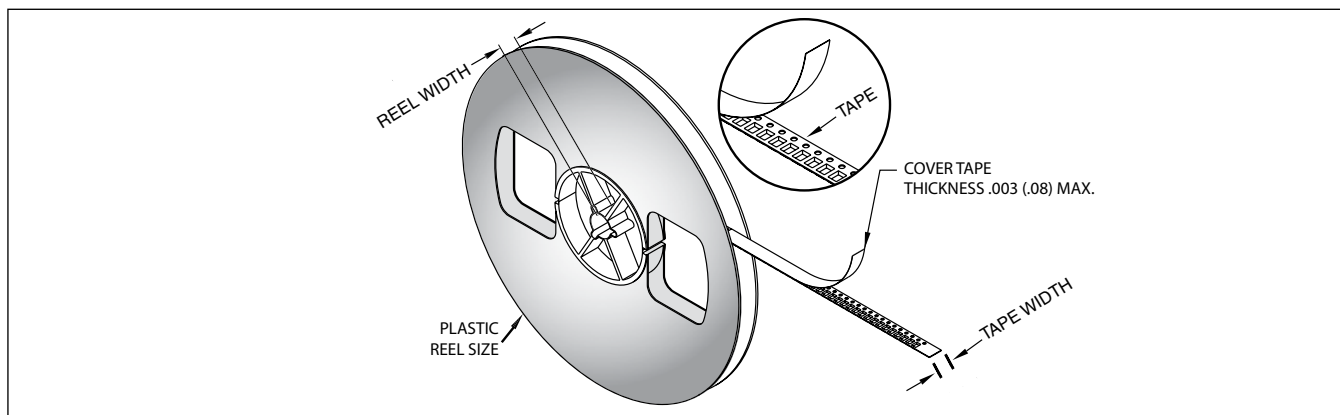
www.atceramics.com

MLC Products Tape and Reel Packaging



CHIP CASE SIZE(0.23) MAX.	"A" DIM.	"B" DIM.	"C" DIM.	"T" DIM.
A	.315 (8.0)	.138 (3.5)	.157 (4.0)	.012 (0.31) MAX.
B	.315 (8.0)	.138 (3.5)	.157 (4.0)	.012 (0.31) MAX.
R	.315 (8.0)	.138 (3.5)	.157 (4.0)	.012 (0.31) MAX.
C	.472 (12.0)	.217 (5.5)	.315 (8.0)	.012 (0.31) MAX.
E	.630 (16.0)	.295 (7.5)	.472 (12.0)	.016 (0.41) MAX.
600 L (0402)	.315 (8.0)	.138 (3.5)	.079 (2.0)	.024 (0.62) MAX.
600 S (0603)	.315 (8.0)	.138 (3.5)	.157 (4.0)	.009 (0.23) MAX.
600 F (0805)	.315 (8.0)	.138 (3.5)	.157 (4.0)	.009 ()

NOTE: Carrier tape pocket dimensions per EIA-481



CHIP CASE SIZE	PART ORIENTATION	REEL SIZE	REEL WIDTH	TAPE WIDTH	QTY. MAX PER REEL
A	VERTICAL	7.0 (177.8)	.330 (8.4)	.315 (8.0)	2500
	HORIZONTAL				
B	VERTICAL	7.0 (177.8)	.330 (8.4)	.315 (8.0)	1500
	HORIZONTAL				2000
R	HORIZONTAL	7.0 (177.8)	.330 (8.4)	.315 (8.0)	2000
C	HORIZONTAL	7.0 (177.8)	.488 (12.4)	.472 (12.0)	500
E	HORIZONTAL	7.0 (177.8)	.646 (16.4)	.630 (16.0)	250
		13.0 (330.0)			500
600 L (0402)	HORIZONTAL	5.0 (127.0)	.330 (8.4)	.315 (8.0)	500
		7.0 (177.8)			10,000
600 S (0603)	VERTICAL	5.0 (127.0)	.330 (8.4)	.315 (8.0)	4,000
	HORIZONTAL	7.0 (177.8)			
600 F (0805)	VERTICAL	5.0 (127.0)	.330 (8.4)	.315 (8.0)	500
	HORIZONTAL	7.0 (177.8)			4,000

A M E R I C A N T E C H N I C A L C E R A M I C S

ATC North America
sales@atceramics.com

ATC Europe
sales@atceramics.com

ATC Asia
sales@atceramics-asia.com

www.atceramics.com